

SCX Quick Start Guide

Acclima

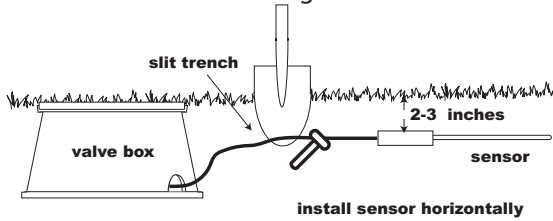
This guide is for quick reference only. For complete installation instructions refer to the manual.

1 Select the sensor location

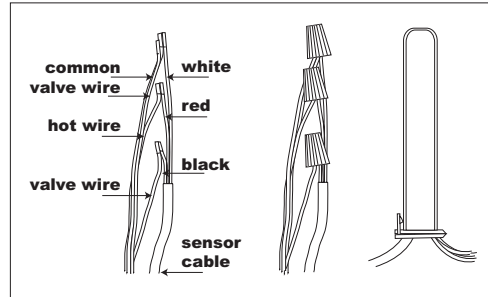
- Use the zone with full sun
- Away from sidewalks, driveways
- Avoid low spots, unhealthy turf
- Use 18 gauge burial wire for splicing
- Use only waterproof connectors

2 Connect the sensor

Use the provided waterproof connector
Connect to the valve that waters the sensor zone
Be sure to make a good connection



All underground or valve box connections must be made using waterproof connectors

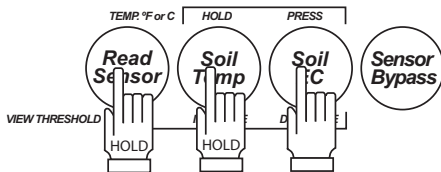
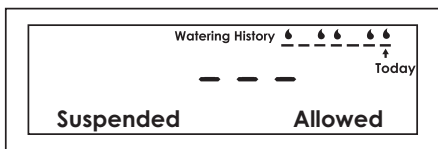


3 Connect the controller

Mount the SCX next to your controller
NOTE: Unplug the timer power before attempting to connect the SCX

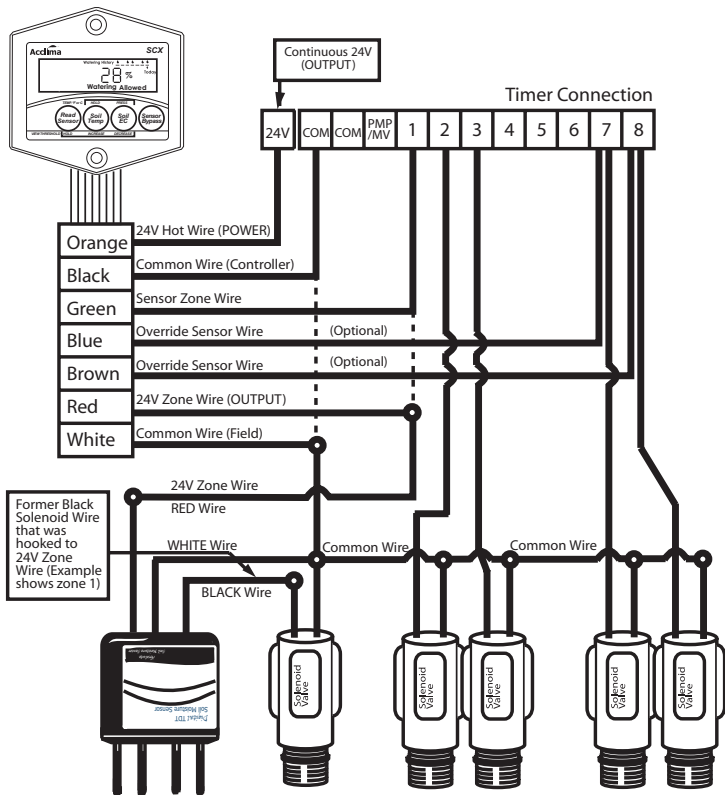
4 Set auto "turn on" threshold

Near sundown, soak the soil around the sensor to saturation with a 5 gallon bucket or garden hose. Set your timer to irrigate at 5:00am the following morning. Finally, simultaneously press and hold both the READ SENSOR and SOIL TEMP buttons while you depress and release the SOIL EC button once.



"Suspended" and "Allowed" will alternate. In the morning your "turn on" threshold will be set correctly.

NOTE: Be sure to re-set your timer after threshold autosest to irrigate as desired and to program the proper run-time based on your field capacity using the run-time guide.



5 Set your watering schedule

Use the table below to set your run-times based on your sprinkler heads and "turn-on" threshold

"Turn on" Threshold Setting	ROTORS			POP-UP SPRAYERS			MP ROTATORS		
	Total Run Minutes	Soak Time		Total Run Minutes	Soak Time		Total Run Minutes	Soak Time	
		Run Max.	Soak Min.		Run Max.	Soak Min.		Run Max.	Soak Min.
36%	58	11	25	29	5	25	95	15	25
32%	52	11	25	26	5	25	84	15	21
28%	45	16	25	23	7	25	74	19	12
24%	39	20	19	19	8	24	63	22	4
20%	32	-	-	16	11	13	-	-	-
16%	26	-	-	13	-	-	-	-	-
12%	19	-	-	10	-	-	-	-	-
8%	13	-	-	6	-	-	-	-	-